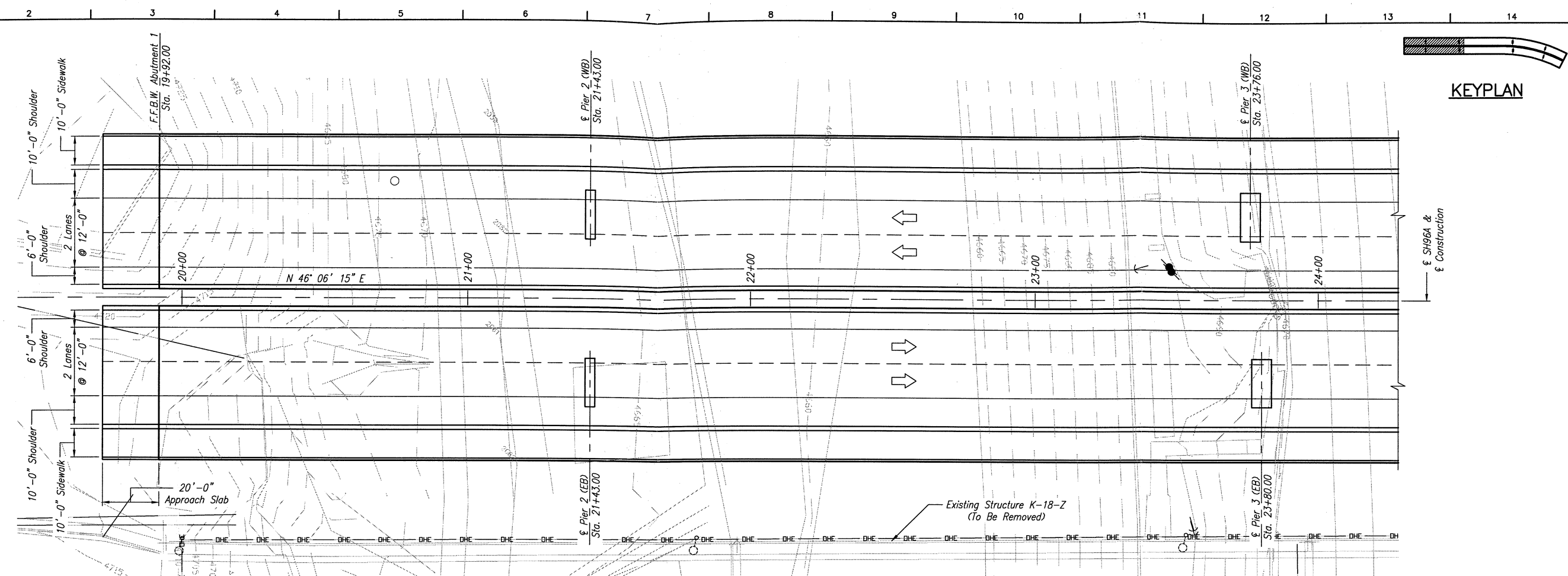
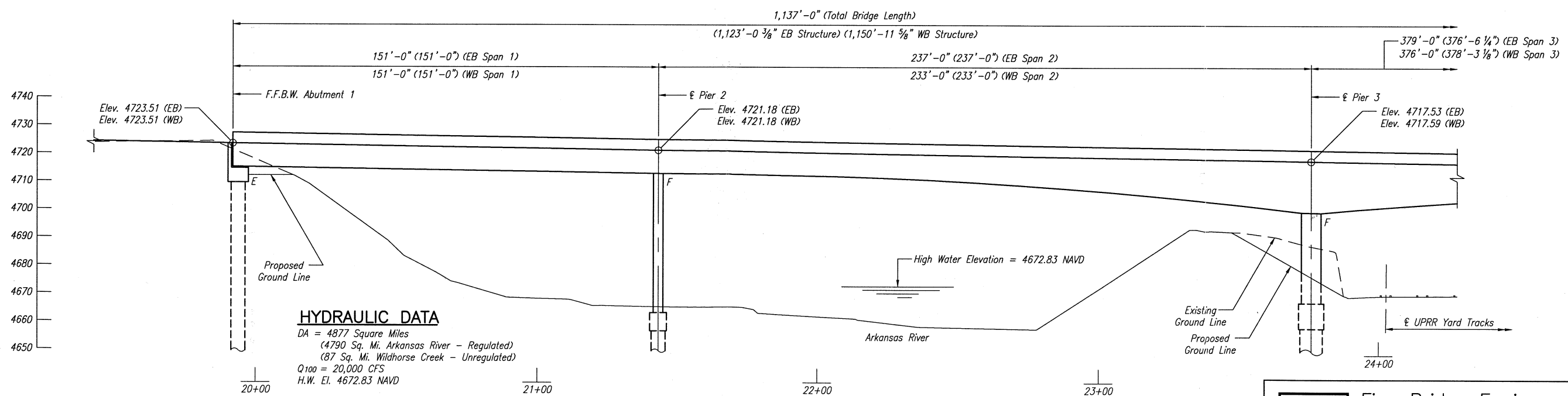


KEYPLAN



PLAN



ELEVATION

(Elevations Given at Finished Grade Along ϵ Girder)

HYDRAULIC DATA

DA = 4877 Square Miles
 (4790 Sq. Mi. Arkansas River - Regulated)
 (87 Sq. Mi. Wildhorse Creek - Unregulated)
 Q₁₀₀ = 20,000 CFS
 H.W. El. 4672.83 NAVD

Notes:

- 1. Spans Given Along ϵ SH96A & ϵ Construction.
 (xx'-x") Denotes Spans Along ϵ Girder.

Figg Bridge Engineers, Inc.
 Tallahassee Denver Philadelphia Dallas

Revision Dates (Preliminary Stage Only)

Revision	Date

DESIGN

Designed by	Checked by	Date

DETAIL

Detailed by	Checked by	Date

QUANTITIES

Quantities by	Checked by	Date

Computer File Information

Creation Date:	Initials: SEF
Last Modification Date:	06/05/03 Initials: KJM
Full Path:	
Drawing File Name:	B002.DWG
Acad Ver.: 2000	Scale: - Units: English

Sheet Revisions

Colorado Department of Transportation

902 Erie Avenue
 Pueblo, Colorado 81001
 Phone: 719-546-5440 FAX: 719-546-5702

Region 2

DEAN SANDOVAL

As Constructed

No Revisions:
Revised:
Void:

S.H. 96A OVER ARKANSAS RIVER

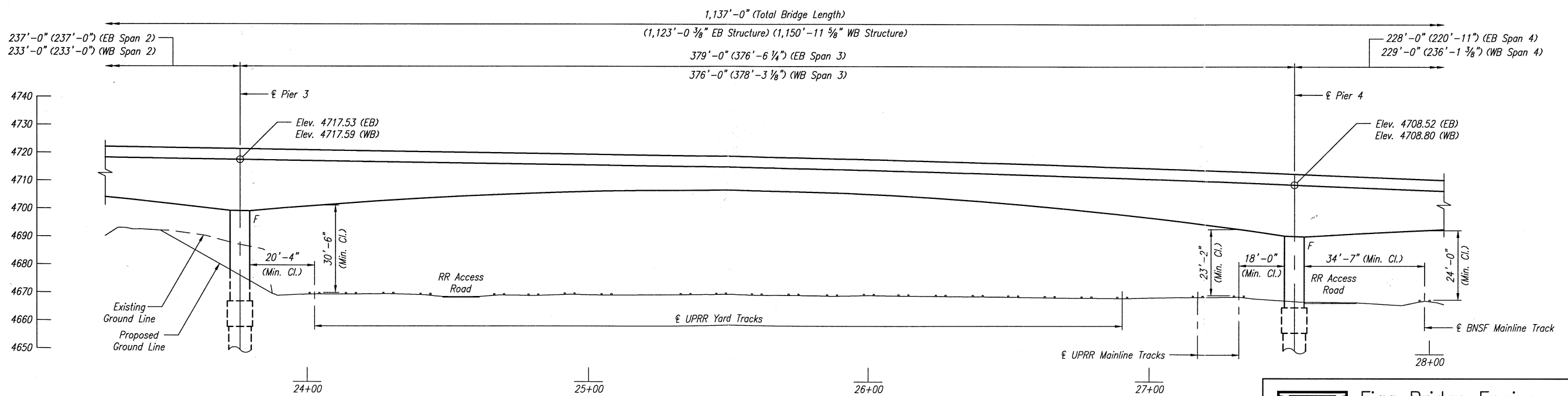
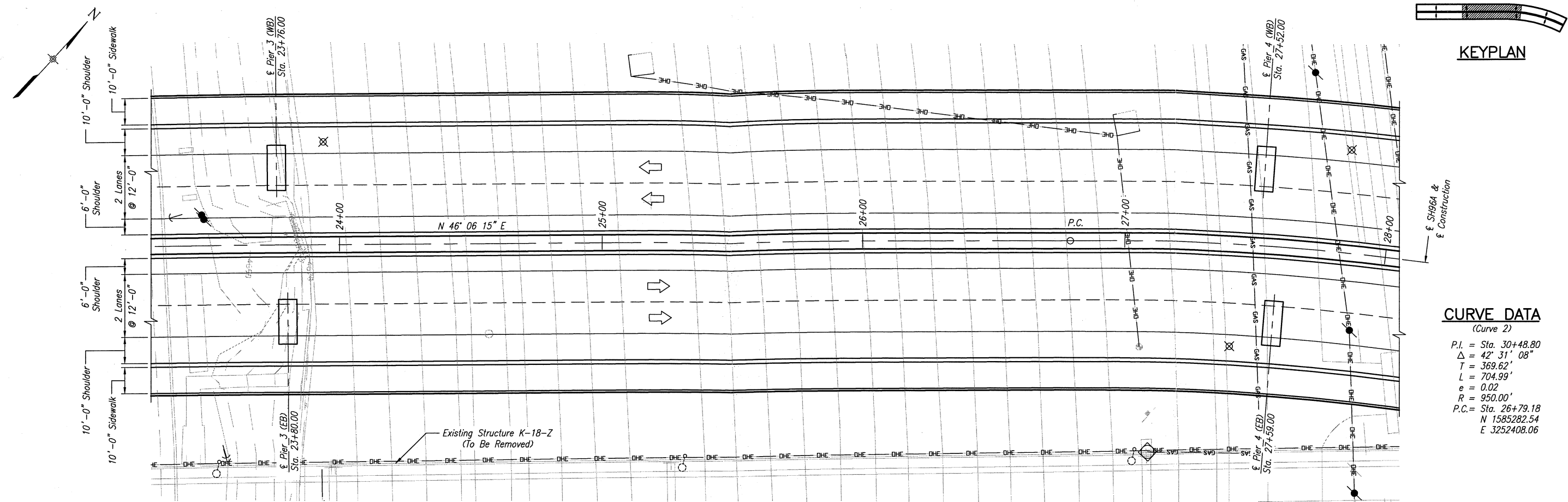
GENERAL LAYOUT I

Designer:	S. Fultz	Structure Numbers:	K-18-GS (EB) K-18-GT (WB)
Detailer:	K. Moytum	Sheet Subset:	BRIDGE
		Subset Sheets:	B002 of B007

Project No./Code

BR 0961-008
13141
Sheet Number

1 2 3 4 5 6 7 8 9 10 11 12 13 14



Revision Dates (Preliminary Stage Only)

DESIGN

QUANTITIES

Computer File Information

Creation Date:	Initials: SEF
Last Modification Date:	06/05/03 Initials: KJM
Full Path:	
Drawing File Name:	B003.DWG
Acad Ver.: 2000	Scale: - Units: English

Sheet Revisions

Colorado Department of Transportation

902 Erie Avenue
 Pueblo, Colorado 81001
 Phone: 719-546-5440 FAX: 719-546-5702

Region 2

DEAN SANDOVAL

As Constructed

No Revisions:	
Revised:	
Void:	

S.H. 96A OVER ARKANSAS RIVER
 GENERAL LAYOUT II

Designer:	S. Fultz
Detailer:	K. Moytum
Sheet Subset:	BRIDGE
Structure Numbers:	K-18-GS (EB) K-18-GT (WB)
Subset Sheets:	B003 of B007

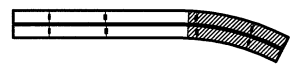
Project No./Code

BR 0961-008
13141
Sheet Number

Figg Bridge Engineers, Inc.
 Tallahassee Denver Philadelphia Dallas

1 2 3 4 5 6 7 8 9 10 11 12 13 14

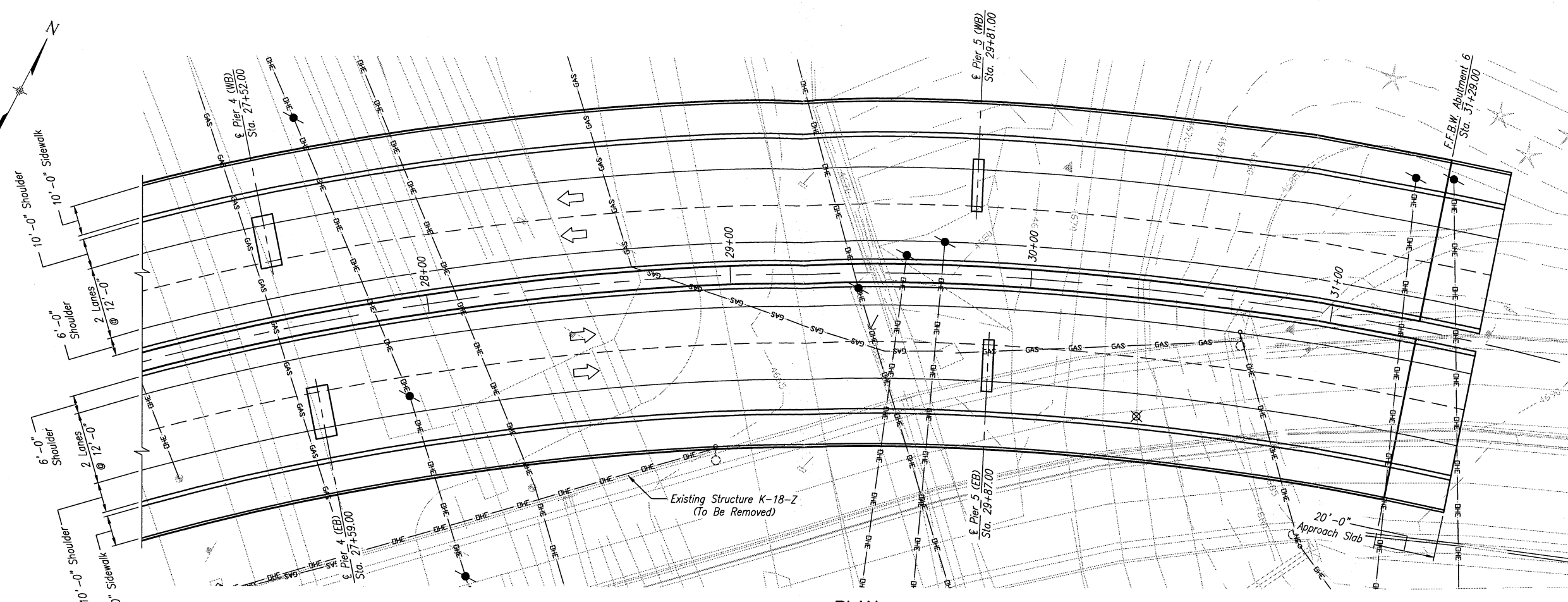
1 2 3 4 5 6 7 8 9 10 11 12 13 14



KEYPLAN

Revision Dates (Preliminary Stage Only)	
Date	Description

DESIGN		DETAIL		QUANTITIES	
Designed by	Date	Initial	Date	Initial	Date

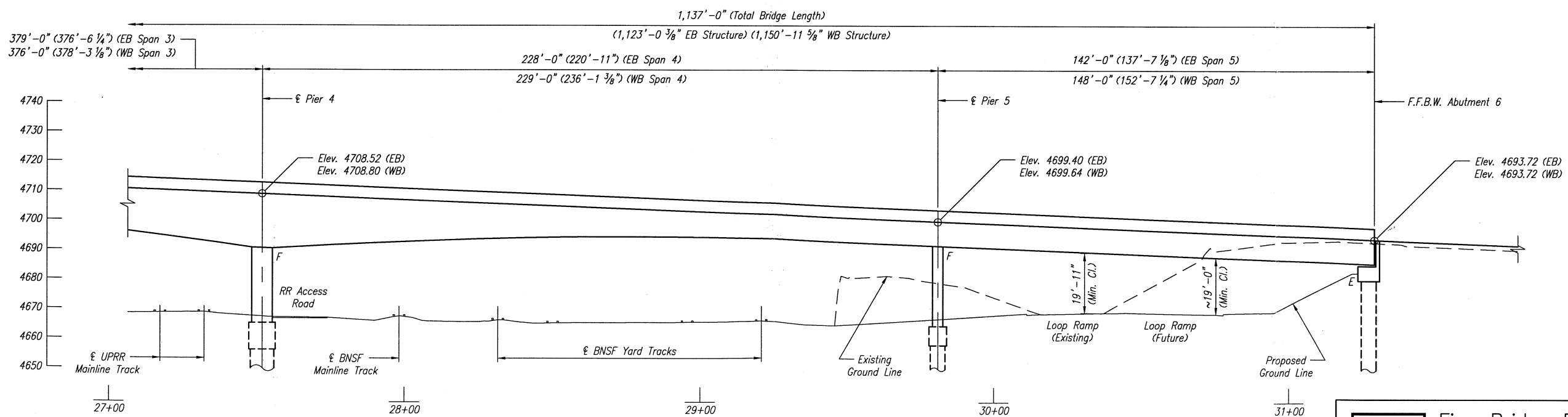


CURVE DATA
(Curve 2)

P.I. = Sta. 30+48.80
 $\Delta = 42^\circ 31' 08''$
 $T = 369.62'$
 $L = 704.99'$
 $e = 0.02$
 $R = 950.00'$
P.C. = Sta. 26+79.18
N 1585282.54
E 3252408.06

PLAN

⊗ Location of Minimum Vertical Clearances



ELEVATION

(Elevations Given at Finished Grade Along ϵ Girder)

- Notes:
- Spans Given Along ϵ SH96A & ϵ Construction. (xx'-x") Denotes Spans Along ϵ Girder.

Figg Bridge Engineers, Inc.
Tallahassee Denver Philadelphia Dallas

Computer File Information

Creation Date:	Initials:	SEF
Last Modification Date:	Initials:	KJM
Full Path:		
Drawing File Name:		B004.DWG
Acad Ver.: 2000	Scale:	Units: English

Sheet Revisions

No.	Description	Date

Colorado Department of Transportation
Region 2
902 Erie Avenue
Pueblo, Colorado 81001
Phone: 719-546-5440 FAX: 719-546-5702
DEAN SANDOVAL

As Constructed

No Revisions:	
Revised:	
Void:	

**S.H. 96A OVER ARKANSAS RIVER
GENERAL LAYOUT III**

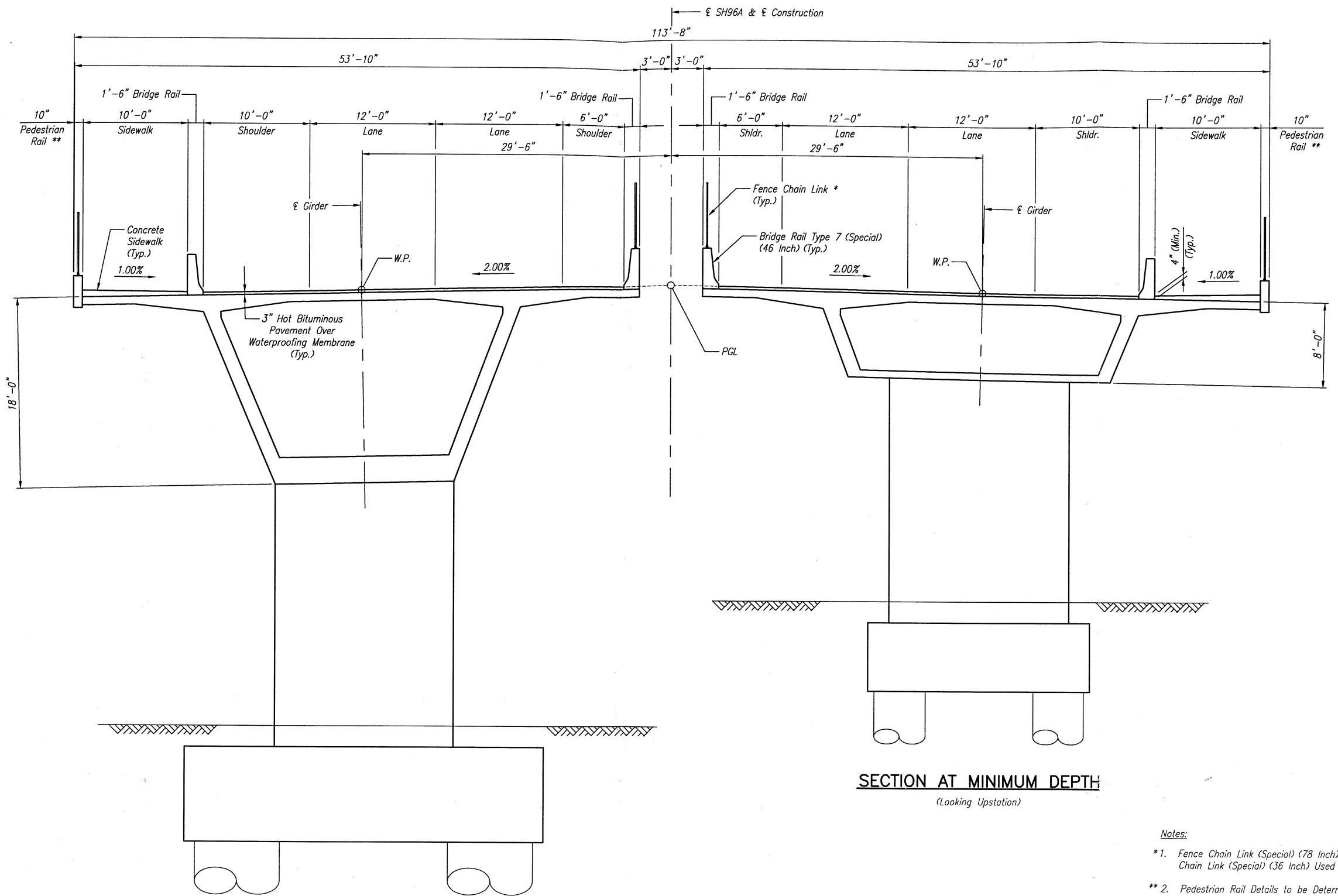
Designer:	S. Fultz	Structure Numbers:	K-18-GS (EB) K-18-GT (WB)
Detailer:	K. Maytum	Subset Sheets:	B004 of B007

Project No./Code

BR 0961-008
13141
Sheet Number

1 2 3 4 5 6 7 8 9 10 11 12 13 14

A
B
C
D
E
F
G
H
I
J



SECTION AT MAXIMUM DEPTH
(Looking Upstation)

SECTION AT MINIMUM DEPTH
(Looking Upstation)

- Notes:**
- *1. Fence Chain Link (Special) (78 Inch) Used Over Railroad Tracks. Fence Chain Link (Special) (36 Inch) Used Everywhere Else.
 - ** 2. Pedestrian Rail Details to be Determined.
 - 3. The Profile Grade Line (PGL) Runs Along ϵ Construction. Finished Grade Elevations are a Constant 2% Superelevation From the PGL, Taken Perpendicular to ϵ Construction

Figg Bridge Engineers, Inc.
Tallahassee Denver Philadelphia Dallas

Revision Dates (Preliminary Stage Only)

Revision	Date

DESIGN		DETAIL		QUANTITIES	
Designed by	Date	Detailed by	Date	Quantities by	Date

Computer File Information

Creation Date:	Initials: SEF
Last Modification Date: 06/05/03	Initials: SJF
Full Path:	
Drawing File Name:	B005.DWG
Acad Ver.: 2000	Scale: -
	Units: English

Sheet Revisions

Rev	Description

Colorado Department of Transportation
902 Erie Avenue
Pueblo, Colorado 81001
Phone: 719-546-5440 FAX: 719-546-5702
Region 2
DEAN SANDOVAL

As Constructed

No Revisions:
Revised:
Void:

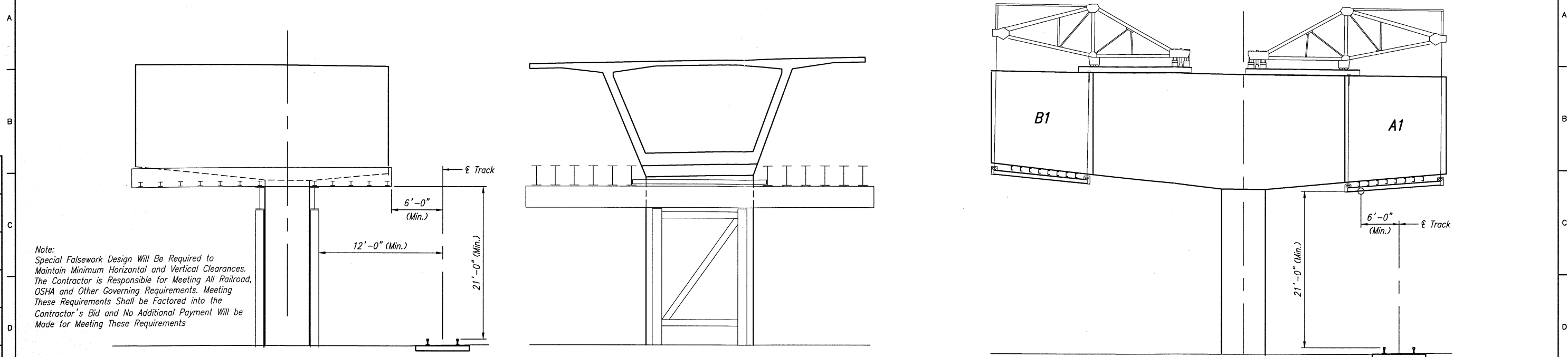
**S.H. 96A OVER ARKANSAS RIVER
TYPICAL CROSS SECTION**

Designer:	S. Fultz	Structure Numbers:	K-18-GS (EB) K-18-GT (WB)
Detailer:	S. Fall	Sheet Subset:	BRIDGE
		Subset Sheets:	B005 of B007

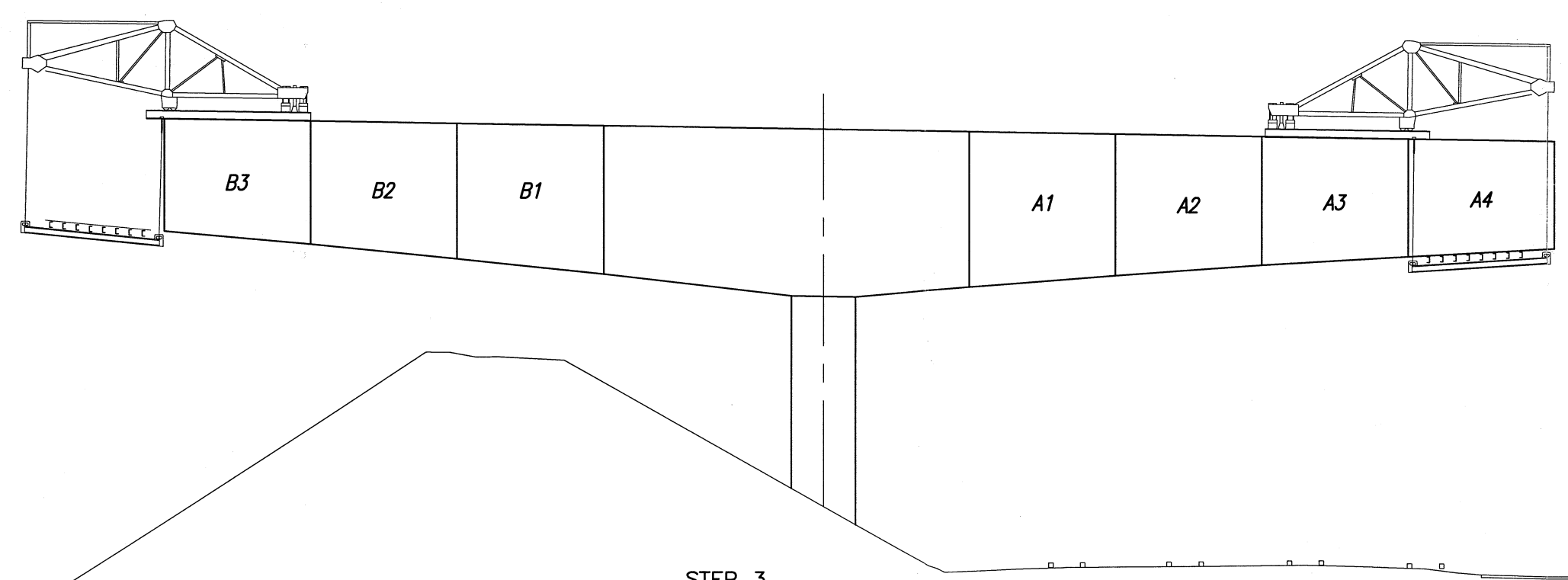
Project No./Code

BR 0961-008
13141
Sheet Number

1 2 3 4 5 6 7 8 9 10 11 12 13 14



Note:
 Special Falsework Design Will Be Required to Maintain Minimum Horizontal and Vertical Clearances. The Contractor is Responsible for Meeting All Railroad, OSHA and Other Governing Requirements. Meeting These Requirements Shall be Factored into the Contractor's Bid and No Additional Payment Will be Made for Meeting These Requirements



Revision Dates (Preliminary Stage Only)	

QUANTITIES		Initial	Date
DETAIL		Initial	Date
DESIGN		Initial	Date

Figg Bridge Engineers, Inc.
 Tallahassee Denver Philadelphia Dallas

Computer File Information		Sheet Revisions		Colorado Department of Transportation		As Constructed		S.H. 96A OVER ARKANSAS RIVER CANTILEVER CONSTRUCTION		Project No./Code	
Creation Date:	Initials: SEF					No Revisions:				BR 0961-008	
Last Modification Date:	06/05/03 Initials: SJF					Revised:		Designer:	S. Fultz	Structure Numbers:	K-18-GS (EB)
Full Path:								Detailer:	S. Fall		K-18-GT (WB)
Drawing File Name:	B007.DWG							Sheet Subset:	BRIDGE	Subset Sheets:	B007 of B007
Acad Ver.: 2000	Scale: -	Units: English									Sheet Number



902 Erie Avenue
 Pueblo, Colorado 81001
 Phone: 719-546-5440 FAX: 719-546-5702

Region 2 DEAN SANDOVAL

1 2 3 4 5 6 7 8 9 10 11 12 13 14